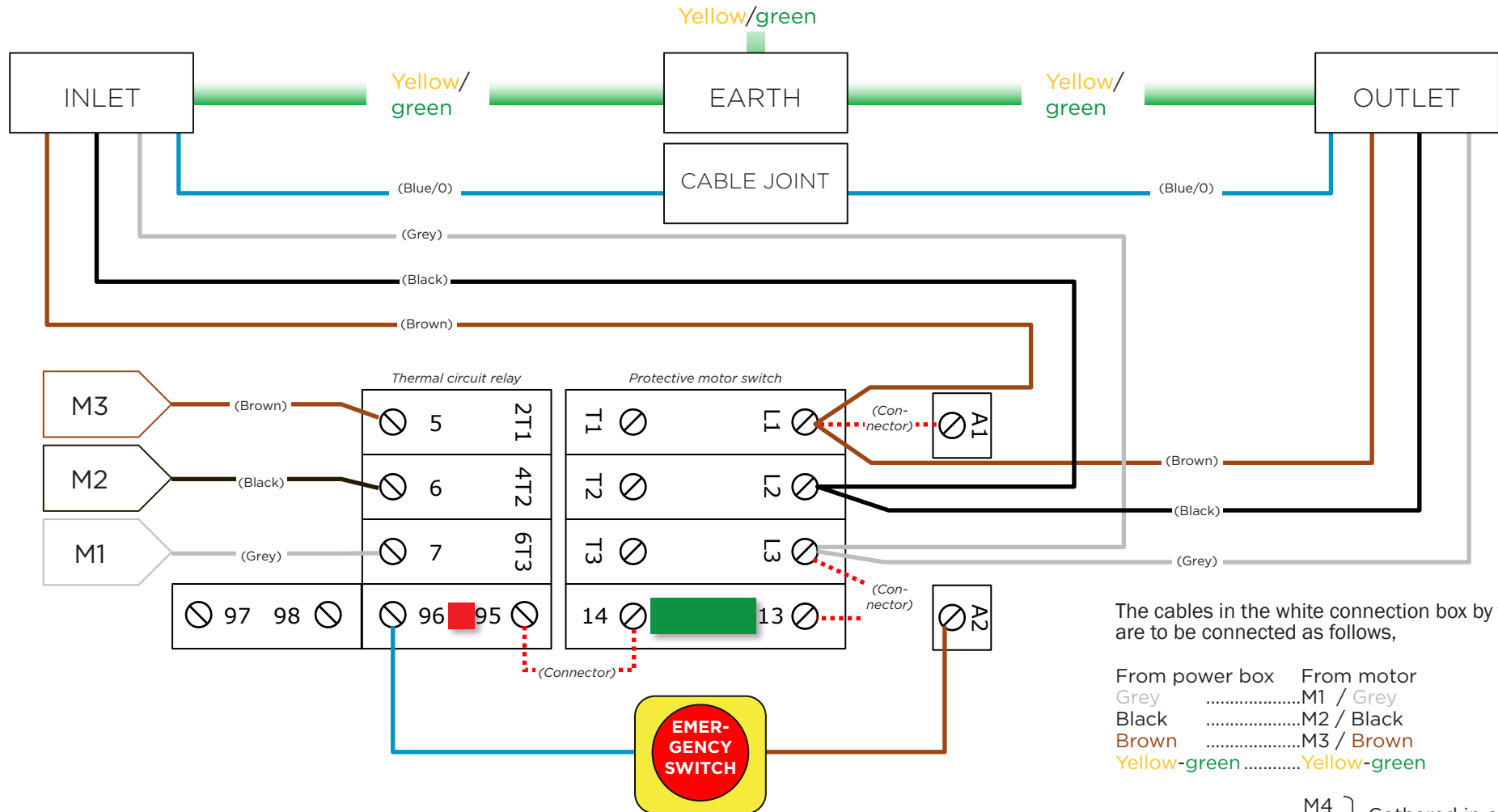


BELT CONVEYORS, 400V, 0.55KW, 6.0-8.0 M



GB-30.10.18



The cables in the white connection box by the motor are to be connected as follows,

From power box	From motor
GreyM1 / Grey
BlackM2 / Black
BrownM3 / Brown
Yellow-greenYellow-green

M4 } Gathered in one
M5 } cable joint
M6 }
M7 (In a sep. cable joint)
M8 (In a sep. cable joint)